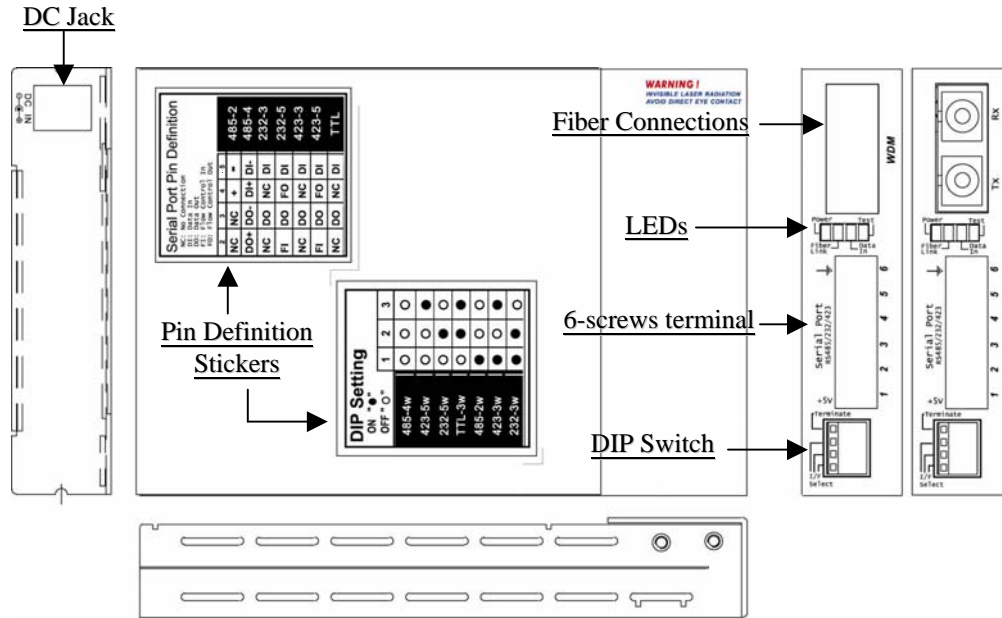


# Installation Instructions for AFIB1- SERIAL RS-485/RS-423/RS-232 to Fiber Converter

## Description

The **AFIB1-SERIAL** will extend RS-485 transmission distance up to 2Km over multimode fiber or up to 120Km over single mode fiber. The converter is equipped with multiple interface circuits, for connection to RS-232, RS-423, or RS-485 (2 or 4-wire). The **AFIB1-SERIAL** secures data transmissions at speeds up to 256kbps for RS-232, or up to 1024kbps for RS-422/485.



## Front Panel Serial Port Definition & DIP Switch Setting

Serial Port Pin Definition				
NC	NC	+	-	485-2
DO+	DO-	DI+	DI-	485-4
NC	DO	NC	DI	232-3
FI	DO	FO	DI	232-5
NC	DO	NC	DI	423-3
FI	DO	FO	DI	423-5
NC	DO	NC	DI	TTL

DIP Setting			
	ON "●"	OFF "○"	
	1	2	3
485-4w	○	○	○
423-5w	○	○	●
232-5w	○	●	○
TTL-3w	○	●	●
485-2w	●	○	○
423-3w	●	○	●
232-3w	●	●	○

## Specifications

### Optical

Wavelength: 850, 1310 or 1550nm  
 Optical Mode: Single Mode(S/M), or Multimode(M/M)  
 Operating Distance: 2Km over multimode fiber or up to 120Km over single mode fiber  
 Fiber Type: 50/125um, 60/125um for M/M ; 9/125um for S/M  
 Power Margin: 11dB(2Km, M/M), 12dB ~ 35dB(15 ~ 120Km, S/M)  
 Data Rate: 31.104Mbps  
 Line Coding: Scrambled NRZ  
 Bit Error Rate: Less than 10<sup>-11</sup>

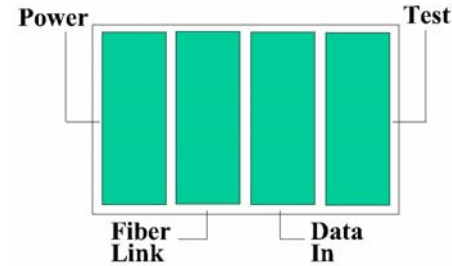
### Connectors Specifications

Optical: ST/SC type or WDM type (SC)  
 Data: 6-Position detachable screw terminal

### DATA SIGNAL Specifications

Data Formats:  
 RS-485/422 2-Wire  
 RS-485/422 4-Wire  
 RS-232 + RTS/CTS 5-Wire  
 RS-232 3-Wire  
 RS-423 + RTS/CTS 5-Wire  
 RS-423 3-Wire  
 TTL 3-Wire  
 Baud Rate:  
 RS-485/422 up to 1024kbps  
 RS-232/423 up to 256kbps  
 TTL up to 1024kbps

### LED Indicators



LED	Function	State	Status
Power	Power indicator	On	Converter has power
		Off	Converter has no power
Fiber Link	Fiber link	Blinking	No SNMP is installed in FRM301
		On	The fiber link is up
		Off	No signal or fiber link is down
Test	Mode display	Blinking	Remote side fiber Sync loss
		On	Any loopback test is on
Data In	Mode display	Off	Normal status
		On	Serial transmission or receiving all zeros (space) data
		Off	No Serial transmission or receiving all ones (mark) data
		Blinking	Receiving random serial data

## Six-screws Terminal Block

### RS-232 3-Wire I/F

DIP Switch -1-2-3: On, On, Off

PIN No#	Function
1	+5VDC output
2	NC
3	RS-232 OUT
4	NC
5	RS-232 IN
6	Ground

### RS-232 +RTS/CTS 5-Wire I/F

DIP Switch -1-2-3: Off, On, Off

PIN No#	Function
1	+5VDC output
2	RS-232 RTS/CTS IN
3	RS-232 OUT
4	RS-232 RTS/CTS OUT
5	RS-232 IN
6	Ground

### RS-485 2-Wire I/F

DIP Switch -1-2-3: On, Off, Off

PIN No#	Function
1	+5VDC output
2	NC
3	NC
4	RS-485 +
5	RS-485 -
6	Ground

### RS-485 4-Wire I/F

DIP Switch -1-2-3: Off, Off, Off

PIN No#	Function
1	+5VDC output
2	RS-485 OUT+
3	RS-485 OUT-
4	RS-485 IN+
5	RS-485 IN-
6	Ground

### RS-423 3-Wire I/F

DIP Switch -1-2-3: On, Off, On

PIN No#	Function
1	+5VDC output
2	NC
3	RS-423 OUT
4	NC
5	RS-423 IN
6	Ground

### RS-423 +RTS/CTS 5-Wire I/F

DIP Switch -1-2-3: Off, Off, On

PIN No#	Function
1	+5VDC output
2	RS-423 RTS/CTS IN
3	RS-423 OUT
4	RS-423 RTS/CTS OUT
5	RS-423 IN
6	Ground

## Fiber Optic Connectors

Two connectors are provided for fiber optic cable connection.

One is for transmission and the other is for reception of optical data. (WDM transceiver has only on SC connector for bi-directional transmissions on a single fiber)

### Environment

Temperature : 0°C - 50°C (operating)  
-20°C - 70°C (storage)  
Humidity 10-90% non condensing

### Dimension

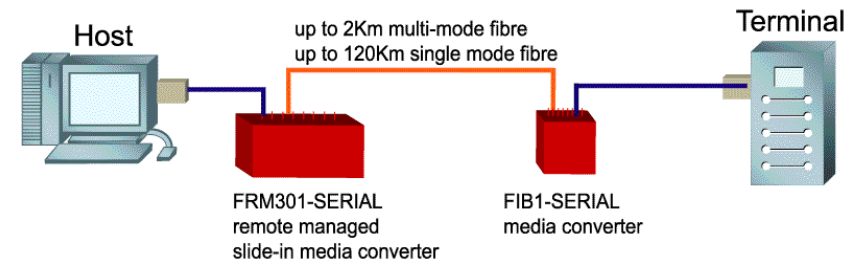
138mm x 86mm x 20mm  
(H x W x D)

**Weight** : 300g

### Power

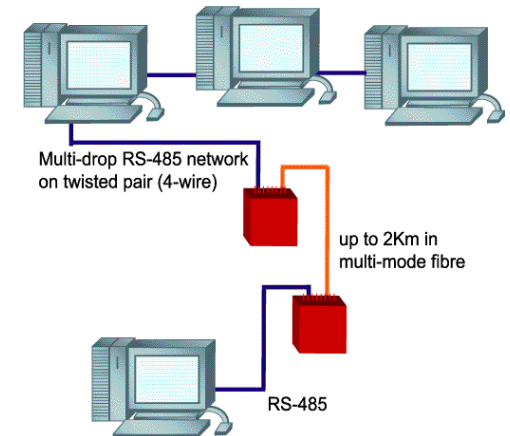
+12V / 1A maximum  
DC plug type : center Positive

## Application



### FIB1-SERIAL Pin Assignment (DB9 Connector for Option)

PIN NO #	DB9 Female
1	9
2	7
3	2
4	8
5	3
6	5



### TRADEMARKS

Ethernet is a registered trademark of Xerox Corp.  
ST® is a registered trademark of AT&T.

### WARNING:

This equipment has been tested and found to comply with the limits for a Class A digital device, pursuant to Part 15 of the FCC Rules. These limits are designed to provide reasonable protection against harmful interference when the equipment is operated in a commercial environment. This equipment generates, uses, and can radiate radio frequency energy and if not installed and used in accordance with the instruction manual may cause harmful interference in which case the user will be required to correct the interference at his own expense. NOTICE: (1) The changes or modifications not expressly approved by the party responsible for compliance could void the user's authority to operate the equipment. (2) Shielded interface cables and AC power cord, if any, must be used in order to comply with the emission limits.

### CISPR PUB.22 Class A COMPLIANCE:

This device complies with EMC directive of the European Community and meets or exceeds the following technical standard. EN 55022 - Limits and Methods of Measurement of Radio Interference Characteristics of Information Technology Equipment. This device complies with CISPR Class A.

### WARNING:

This is a Class A product. In a domestic environment this product may cause radio interference in which case the user may be required to take adequate measures.

### CE NOTICE

Marking by the symbol CE indicates compliance of this equipment to the EMC directive of the European Community. Such marking is indicative that this equipment meets or exceeds the following technical standards: EN 55022:1994/A1:1995/A2:1997 Class A and EN61000-3-2:1995, EN61000-3-3:1995 and EN50082-1:1997