



# Industrial Grade Bell 202T/V23 Modem

The Data Connect low speed IG-202T and IG-V23 modems are designed and manufactured for rugged industrial communication networks. Both modems deliver cost effective and reliable 1200bps asynchronous solutions for point to point and multipoint connectivity.

The IG-202T and IG-V23 modems are ideal for industrial communication applications including SCADA systems, RTUs, traffic monitor and control, and industrial automation networks. The IG-202T and IG-V23 supports RTUs with a user selectable

The IG-202T and IG-V23 modem is designed to operate over 4-wire full duplex or 2 wire half duplex over unconditioned leased lines or private metallic circuits. For optimum performance, the modem employs FSK modulations to be compatible with Bell202T and ITU-V23 standards, which can communicate over a variety of transmission lines.

The IG-202T and IG-V23 modem can operate over a wide range of AC or DC power supply voltages and temperatures. With proven reliability and ease of installation the IG-202T and IG-V23 is ideal for point-to-point and point-to-multipoint polling networks, where reliability and low-network latency are critical for system performance.

## Key Features

*Data Rate: 0 - 1200 bps*

*Bell 202T and ITU-V.23 compatible operation for 1200 bps over Telco lines*

*4 wire full duplex or 2 wire half duplex over unconditioned or conditioned line for point-to-point or*

*Selectable EIA RS-232/V.24 and RS-485 DTE support*

*Built-in loopback diagnostics for local and remote testing*

*Configuration and options provided by DIP switches and jumpers, no AT command set is required*

*Heavy-duty surge protection provided at power supply and leased*

*Supports wide range of AC & DC power supply options*

*Isolated DC to DC converter for protecting critical DC or battery power system*

*Wide range of operating temperatures From -40° to 85°C*



# General Specifications

## Data Rate Support

### Data Speed

0-1200 bps in Bell 202T mode

0-1200 bps in ITU-V23 mode

### Data Format:

Asynchronous, transparent character format

10 or 11-bit character with 1 or 2 stop bits

## Modulation

Frequency Shift Key (FSK)

**Bell 202T Mode:** Mark 1200 Hz

Space 2200Hz

Soft Carrier 900Hz

**ITU-V.23 Mode:** Mark 1300Hz

Space 2100Hz

## Transmission Line Interface

### Leased Line

TELCO voice band 2- or 4- wire leased lines

Private or metallic circuits 2- or 4- wire,  
19-26 AWG

Connector: 4 pin RJ-11C modular Jack

Transmitter output level: 0 to -12 dBm,  
selectable

## DTE/RTU Interface

The modem provides serial ports to support  
both the RS-232 and RS-485 interface  
standards:

## RS-232 Interface

Connector: DB9-F

Signals: RTS, CTS, CD, TD, RD, DSR, SG

## RS-485 Interface

Connector: RJ-11C

Signals: 4-wire full-duplex:

TX+, TX-, RX+, RX-

## Front Panel Indicators & Controls

RTS, CTS, TD, CD, RD, MR, ALB, DLB

### TEST Switch:

Push Button for Analog Loopback, Digital  
Loopback

## Power Supply Specifications

Three models support various power options:

Standalone: 90-264 VAC

Standalone: 10-48 VDC

### Power Consumption:

Idle mode: 2 watts

Normal mode: 5 watts, typical

## Mechanical Specifications

Enclosure dimensions:

4.1"(W) X 4.9"(L) X 1.4"(H)

(104mm(W) X 125mm(L) X 36mm(H))

Weight: 0.5lbs, without AC power module

## Environment Specifications

Temperature:

Operation: -40° to +85°C

Storage: -40° to +85°C

Humidity:

Up to 95% non-condensing

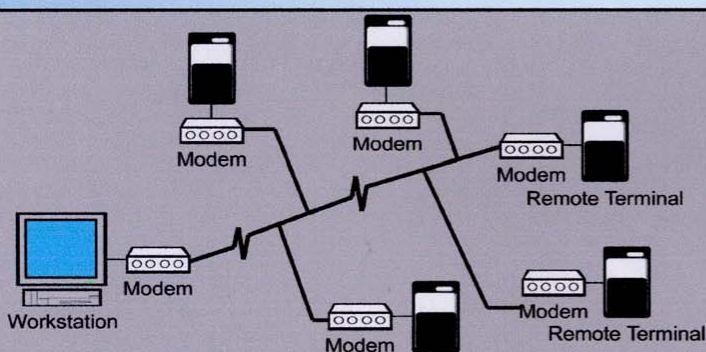
## Model Numbers and Optional Features

**IG202T:** Standalone with AC power supply  
90-264 VAC or 115-400 VDC

**IG202T-DC:** Standalone, DC power only  
DC 10-48 VDC

**IGV23:** Standalone with AC power supply  
90-264 VAC or 115-400VDC

**IGV23-DC:** Standalone, DC power only  
DC 10-48 VDC



Multi-point Polling Network with the IG-202T Modems

CALL ARC ELECTRONICS

800-926-0226 EX 202

WAYNE@ARCELECT.COM

ARCELECT.COM